



NEW! 25 YEAR LINEAR
PERFORMANCE WARRANTY AND
A PRODUCT WORKMANSHIP
WARRANTY OF 5 YEARS*

Length 65.94 in (1675 mm)
Width 39.41 in (1001 mm)
Height 1.34 in (34 mm)
Frame Aluminum
Weight 46.7 lbs (21,2 kg)



Sunmodule⁺

SW 250 mono

World-class quality

SolarWorld products are manufactured in state-of-the-art factories according to strict German and US quality standards.

Award-winning products

SolarWorld modules have been ranked number one for two years running in ongoing comparison tests carried out by the Photon trade magazine. Sunmodule plus panels generated up to 12% more yield than other major brand panels.

SolarWorld Plus-Sorting

Plus-Sorting guarantees highest system efficiency. SolarWorld only delivers modules that have greater than or equal to the nameplate rated power.

25-year Linear Performance Guarantee*

SolarWorld guarantees, over 25 years, that the modules' performance will not decrease by more than 0.7% per year – a distinct added value compared to industry-standard two-tiered guarantees.

*in accordance with the applicable SolarWorld service certificate at purchase
www.solarworld-global.com/service-certificate



296 Labrosse Avenue, Pointe-Claire, QC, Canada, H9R 5L8
Tel: (514) 630-5630 Toll Free: 1-866-630-5630 Fax: (514) 426-9123
info@matrixenergy.ca www.matrixenergy.ca



We turn sunlight into power.

Sunmodule⁺

SW 250 mono

PERFORMANCE UNDER STANDARD TEST CONDITIONS (STC)*

SW 250		
Maximum power	P_{max}	250 Wp
Open circuit voltage	U_{oc}	37.8 V
Maximum power point voltage	U_{mpp}	31.1 V
Short circuit current	I_{sc}	8.28 A
Maximum power point current	I_{mpp}	8.05 A

*STC: 1000W/m², 25°C, AM 1.5

PERFORMANCE AT 800 W/m², NOCT, AM 1.5

SW 250		
Maximum power	P_{max}	183.3 Wp
Open circuit voltage	U_{oc}	34.6 V
Maximum power point voltage	U_{mpp}	28.5 V
Short circuit current	I_{sc}	6.68 A
Maximum power point current	I_{mpp}	6.44 A

Minor reduction in efficiency under partial load conditions at 25°C: at 200W/m², 95% (+/-3%) of the STC efficiency (1000 W/m²) is achieved.

COMPONENT MATERIALS

Cells per module	60
Cell type	Mono crystalline
Cell dimensions	6.14 in x 6.14 in (156 mm x 156 mm)
Front	tempered glass (EN 12150)

SYSTEM INTEGRATION PARAMETERS

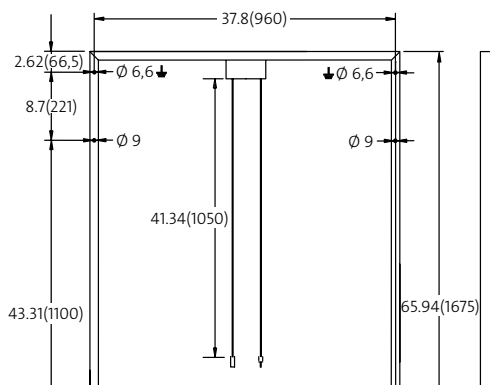
Maximum system voltage SC II	1000 V
Max. system voltage USA NEC	600 V
Maximum reverse current	16 A
Increased snowload acc. to IEC 61215	5,4 kN/m ²
Number of bypass diodes	3

THERMAL CHARACTERISTICS

NOCT	47 °C
TC I_{sc}	0.042 %/K
TC U_{oc}	-0.33 %/K
TC P_{mpp}	-0.45 %/K

ADDITIONAL DATA

Measuring tolerance	+/- 3 %
Junction box	IP65
Connector	MC4
SolarWorld Plus-Sorting ¹⁾	$P_{Flash} \geq P_{max}$



- Qualified, IEC 61215
- Safety tested, IEC 61730
- Periodic Inspection



ÉNERGIE
MATRIX
ENERGY



296 Labrosse Avenue, Pointe-Claire, QC, Canada, H9R 5L8
Tel: (514) 630-5630 Toll Free: 1-866-630-5630 Fax: (514) 426-9123
info@matrixenergy.ca www.matrixenergy.ca

- 1) The output identified by SolarWorld (P_{Flash}) is always higher than the nominal output (P_{max}) of the module.
- 2) Depending on the market.
SolarWorld AG reserves the right to make specification changes without notice.
This data sheet complies with the requirements of EN 50380.