



SUNLIGHT™
 SOLAR LIGHTING CONTROLLER

Morningstar's advanced **SunLight** solar lighting controller combines the **SunSaver** design with a microcontroller for automatic lighting control functions.

This technology provides:

- Proven Reliability
- Precise Lighting Control
- PWM Battery Charging

Operation:

- Rotary digital switch to select among 10 lighting options (see back)
- Test button flashes red LED to confirm correct rotary switch selection
- Test button turns lights on for 5 minutes (in LVD limited to 3 times)
- LVD overrides lighting timer
- Sunrise overrides lighting timer
- Timer accuracy is within 2 seconds

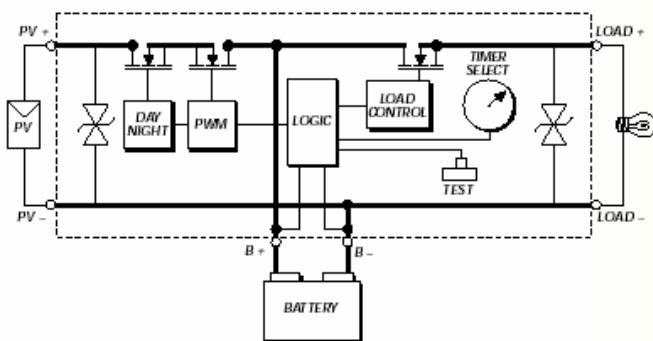
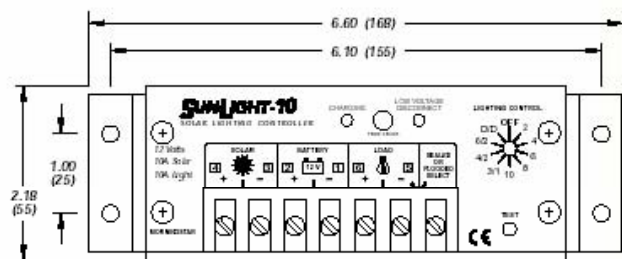
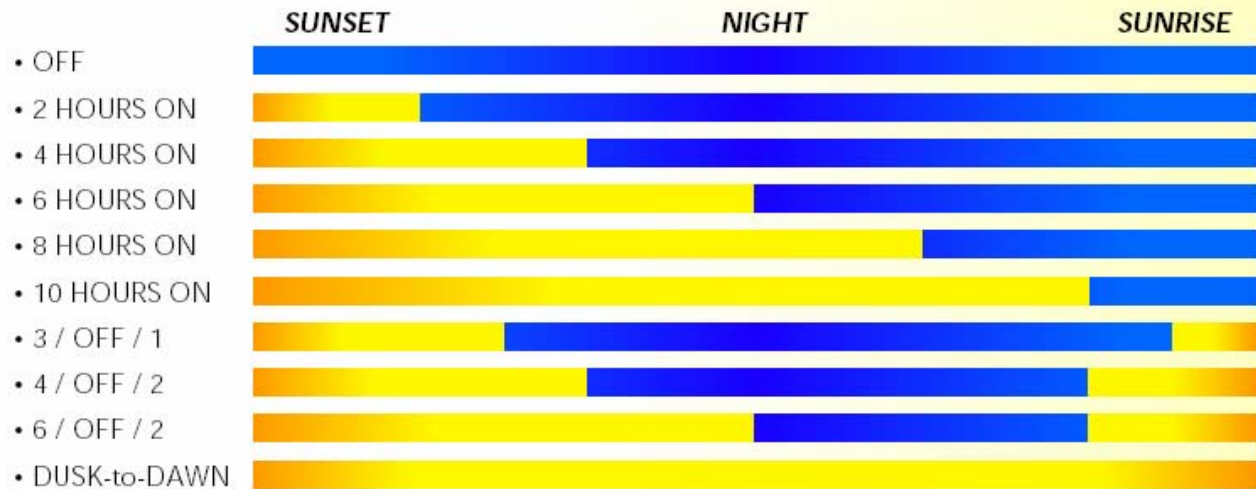
Four Versions Available:

- 12 Volt: 10 and 20 amp ratings
- 24 Volt: 10 and 20 amp ratings

Features:

- Microcontroller digital accuracy
- Fully automatic operation
- Ten field adjustable lighting control options
- Special on/off/on functions
- Manual test capability
- LVD override protection
- Detects day and night using the PV array
- Suitable for all 12/24 Vdc lamps
- Sealed/Flooded battery select
- Temperature compensation
- Parallel with a SunSaver for 40 amps solar
- Includes SunSaver battery charging circuit

Lighting Control Options



Mechanical Specifications

- Wire size #10 AWG (5.2 mm²)
- Anodized aluminum case
- Marine rated terminals
- Epoxy encapsulated
- Weight is 9 oz (0.26 kg)

Electrical Specifications

	12 Volt	24 Volt
Rated Solar Input	10/20 A	10/20 A
Rated Load	10/20 A	10/20 A
25% Current Overload	5 min.	5 min.
Regulation Voltage:		
Sealed Battery	14.1 V	28.2 V
Flooded Battery	14.4 V	28.8 V
Load Disconnect	11.7 V	23.4 V
LVD Reconnect	12.8 V	25.6 V
Temp. Comp. (mV/°C)	-27	-54
Self-consumption	8 mA	9 mA
Operating Temp.	-40 to +85°C	

WARRANTY: Five year warranty period. Contact Morningstar or your authorized distributor for complete terms.