

Our E-Panel Saves Money And Allows Room For Your Classics!



- ❑ **Small size compared to existing disconnect and over current solutions**
- ❑ **Pre-wired to save time, money and complexity. All field wiring connections clearly labeled**
- ❑ **White powder coated aluminum or standard gray powder coated steel**
- ❑ **Easily expands to accommodate additional inverters**
- ❑ **Six slots for din rail breakers, PV, Wind, Hydro, AC distribution**
- ❑ **500 amp 50mv shunt for battery status monitor systems**
- ❑ **Pre-wired 50 amp 240 VAC inverter AC bypass switch**
- ❑ **Pre-wired 50 amp 240 VAC AC input disconnect**
- ❑ **Bus bars for Battery Plus, Battery Minus and ground**
- ❑ **Mounting hardware for inverter and charge controller**
- ❑ **Snap in plastic conduit for AC, Mate and RTS wires**
- ❑ **Mounting brackets for hanging E-Panel on wall**
- ❑ **Heavy duty 175 amp AC distribution block**
- ❑ **ETL listed to UL and Canadian standards**
- ❑ **Right hand hinged door to mount inverter***
- ❑ **Knock outs for AC and DC conduits**
- ❑ **Charge control bracket (CCB)**
- ❑ **Cut outs for two GFCI outlets**
- ❑ **DC inverter battery breaker**
- ❑ **Internal inverter cables**



14000 Burn RD.
Arlington, WA 98223
USA
425-374-9060
Fax 360-691-6862
info@midnitesolar.com
www.midnitesolar.com

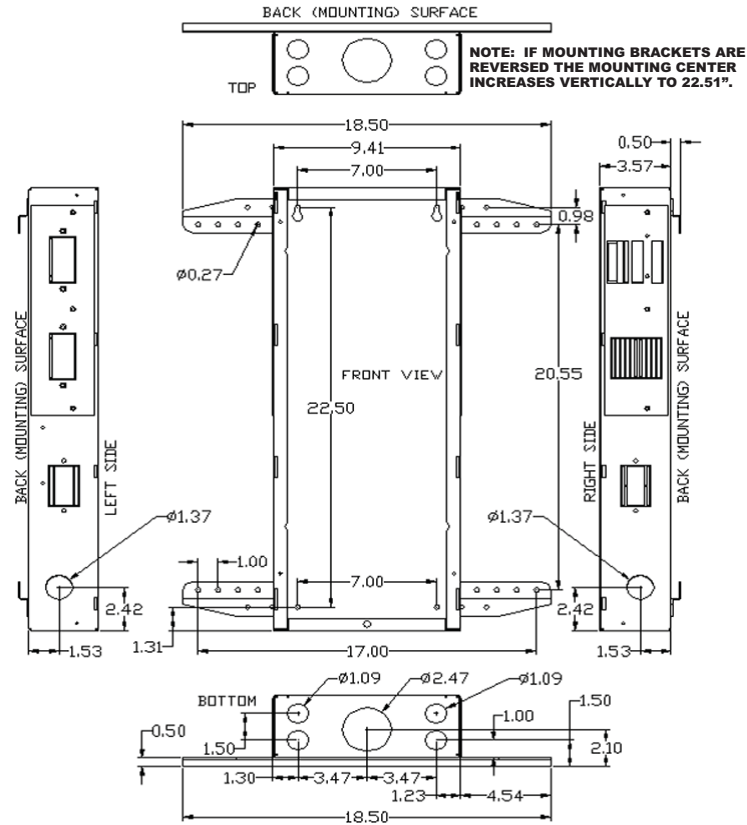


Midnite Solar E-Panel (OutBack Version)



FINISHED ASSEMBLY

Inverter installation has just gone from hours to minutes!



MODEL NUMBER CODE:

MNE.....175.....ST or AL
 Midnite E-Panel DC Inverter breaker Steel or Aluminum

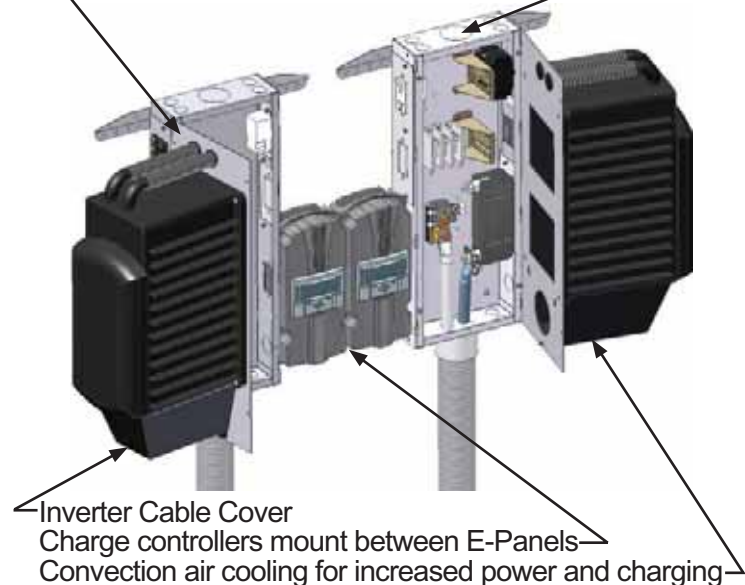
Model No.	INVERTERS	PRICE
MNE125ST	FX3048T, GTFX3048, FX2532MT, FX2348ET	\$ 439
MNE175ST	FX2524T, VFX3648, FX2524MT, VFX3232M, FX2024ET, VFX3048E	\$ 479
MNE250ST	FX2012T, VFX2812, VFX3524, GVFX3524, FX2012MT, VFX2012ET, VFX2612E, VFX3024E, FX2012MT, VFX2812M	\$ 479
MNE125AL	FX3048T, GTFX3048, FX2532MT, FX2348ET	\$ 479
MNE175AL	FX2524T, VFX3648, FX2524MT, VFX3232M, FX2024ET, VFX3048E	\$ 519
MNE250AL	FX2012T, VFX2812, VFX3524, GVFX3524, FX2012MT, VFX2012ET, VFX2612E, VFX3024E, FX2012MT, VFX2812M	\$ 519

- OPTIONS:**
- MNEleftdoorST - Left hand hinge steel door w/right hand CCB \$ 59
 - MNEleftdoorAL - Left hand hinge aluminum door w/right hand CCB \$ 65
 - MNEPV63 - 63 amp 125VDC din rail mount breaker \$ 15
 - MNDC-GFP - 63 amp DC GFP breaker assembly with 1/2amp trip \$ 65

See www.outbackpower.com for additional din rail mount breakers (OBAC & OBPV)
 Prices do not include the OutBack Inverter.

See www.midnitesolar.com for the evolution of the E-Panel
 ETL tested an open E-Panel door with 360 pounds installed

Stacking horizontal or vertical is easy
 Knock outs align top and bottom for vertical stacking
 left hand door required for horizontal stacking



14000 Burn Road
 ARLINGTON, WA 98223 USA
 PHONE: 425-374-9060 FAX: 360-691-6862
www.midnitesolar.com

Support your local Installer

