



**DEEP CYCLE**  
**SERIES: 5000**  
**MODEL: 6 CS 21P**

**BATTERY ENGINEERING**  
**WWW.ROLLSBATTERY.COM MADE IN CANADA**

**BATTERY TYPE: 6 VOLTS**

**DIMENSIONS:**

**LENGTH** 559 MM 22 INCHES  
**WIDTH** 248 MM 9 3/4 INCHES  
**HEIGHT** 464 MM 18 1/4 INCHES

**WEIGHTS:**

**WEIGHT DRY** 98 KG 217 LBS.  
**WEIGHT WET** 123 KG 271 LBS.

**CONTAINER CONSTRUCTION:**

**CONTAINER: (INNER)** POLYPROPYLENE **TERMINALS:** FLAG WITH STAINLESS STEEL NUTS AND BOLTS  
**COVER: (INNER)** POLYPROPYLENE - HEAT SEALED TO INNER CONTAINER  
**CONTAINER: (OUTER)** HIGH DENSITY POLYETHYLENE **HANDLES:** MOLDED  
**COVER: (OUTER)** HIGH DENSITY POLYETHYLENE SNAP FIT TO OUTER CONTAINER

**PLATES:**

**POSITIVE PLATE DIMENSION:**  
**HEIGHT** 273 MM 10.750 INCHES  
**WIDTH** 143 MM 5.625 INCHES  
**THICKNESS** 6.60 MM 0.260 INCHES

**NEGATIVE PLATE DIMENSION:**  
**HEIGHT** 273 MM 10.750 INCHES  
**WIDTH** 143 MM 5.625 INCHES  
**THICKNESS** 4.57 MM 0.180 INCHES

**CELLS:** 3 **PLATES/CELL:** 21

POSITIVE PLATE ENVELOPED BY VERTICAL SLYVER GLASS MAT

**SEPARATOR:**  
**THICKNESS** 3 MM 0.105 INCHES

**INSULATION:**  
**GLASS MAT** 1 MM 0.020 INCHES

**CAPACITY:**

**CRANK AMPS:**  
**COLD (CCA)** 0°F / -17.8°C 1764  
**MARINE (MCA)** 32°F / 0°C 2175

**ELECTROLYTE RESERVE:**  
**ABOVE PLATES** 95 MM 3.75 INCHES

**RESERVE CAPACITY:**  
**RC @ 25A** 1353 MINUTES

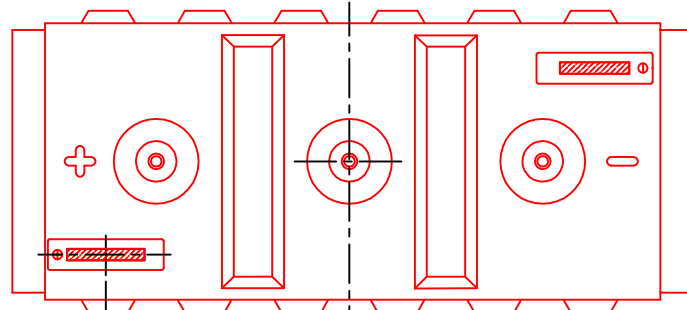
**20 HR RATE: 683**

|                   | <b>HOURLY RATE</b>  | <b>SPECIFIC GRAVITY</b> | <b>CAP / AH</b> | <b>CURRENT / AMPS</b> |
|-------------------|---------------------|-------------------------|-----------------|-----------------------|
| CAPACITY @        | 100 HOUR RATE       | 1.280 SP. GR.           | 963             | 9.63                  |
| CAPACITY @        | 72 HOUR RATE        | 1.280 SP. GR.           | 908             | 12.62                 |
| CAPACITY @        | 50 HOUR RATE        | 1.280 SP. GR.           | 840             | 16.80                 |
| CAPACITY @        | 24 HOUR RATE        | 1.280 SP. GR.           | 710             | 29.6                  |
| <b>CAPACITY @</b> | <b>20 HOUR RATE</b> | <b>1.280 SP. GR.</b>    | <b>683</b>      | <b>34.2</b>           |
| CAPACITY @        | 15 HOUR RATE        | 1.280 SP. GR.           | 635             | 42.3                  |
| CAPACITY @        | 12 HOUR RATE        | 1.280 SP. GR.           | 594             | 49.5                  |
| CAPACITY @        | 10 HOUR RATE        | 1.280 SP. GR.           | 567             | 56.7                  |
| CAPACITY @        | 8 HOUR RATE         | 1.280 SP. GR.           | 533             | 66.6                  |
| CAPACITY @        | 6 HOUR RATE         | 1.280 SP. GR.           | 485             | 80.8                  |
| CAPACITY @        | 5 HOUR RATE         | 1.280 SP. GR.           | 458             | 92                    |
| CAPACITY @        | 4 HOUR RATE         | 1.280 SP. GR.           | 423             | 106                   |
| CAPACITY @        | 3 HOUR RATE         | 1.280 SP. GR.           | 382             | 127                   |
| CAPACITY @        | 2 HOUR RATE         | 1.280 SP. GR.           | 328             | 164                   |
| CAPACITY @        | 1 HOUR RATE         | 1.280 SP. GR.           | 232             | 232                   |

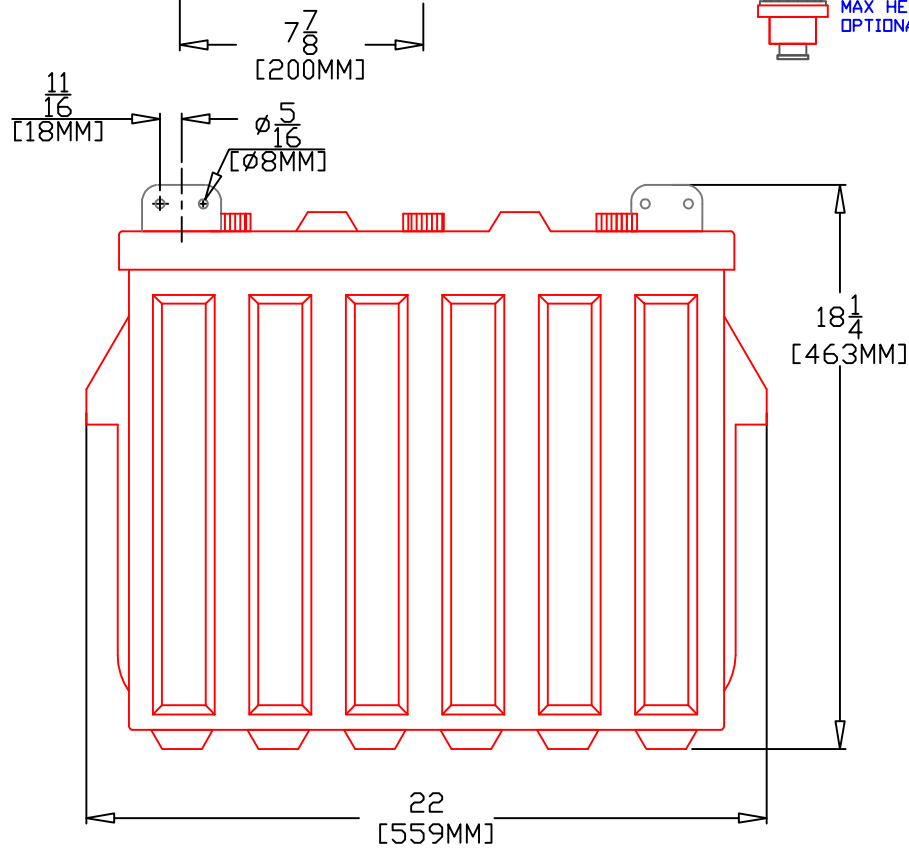
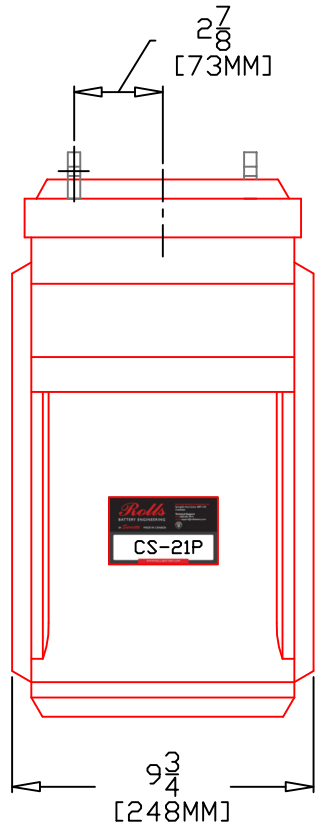


296 Labrosse Avenue, Pointe-Claire, QC, H9R 5L8, Canada  
 Phone: (514) 630-5630 Fax: (514) 426-9123  
 Toll Free: 1-866-630-5630 email: info@matrixenergy.ca  
 For more information visit www.matrixenergy.ca





PART NUMBER: 6-CS-21P  
 WEIGHT WET: 271 LB / 123 KG  
 WEIGHT DRY: 217 LB / 98 KG  
 CAPACITY: 683 AH 20 HR  
 VOLTAGE: 6 V  
 OVERALL DIMENSIONS: 22" X 9 3/4" X 18 1/4"  
 MAX HEIGHT WITH OPTIONAL HYDROCAPS: 18 5/8" - 473 MM



**Rolls**  
 BATTERY ENGINEERING

TITLE: 6CS21P

DESCRIPTION:  
 6V / 3 CELL 21 PLATE (CS) DEEP CYCLE 500/5000 SERIES

CONTACT INFO:  
 WEB: WWW.ROLLSBATTERY.COM  
 E-MAIL: SALES@ROLLSBATTERY.COM  
 PHONE: 1-800-681-9914

SCALE: 1" = 6" 1" = 4" JPEG NOT TO SCALE  
 8.5" X 11" 11" X 17"

Drawn by: S. WILES Approved By: D. SURRETTE

DATE: JAN-2010 REVISION 2.0

DRAWING NO.: DWG 006, BD6CS21P